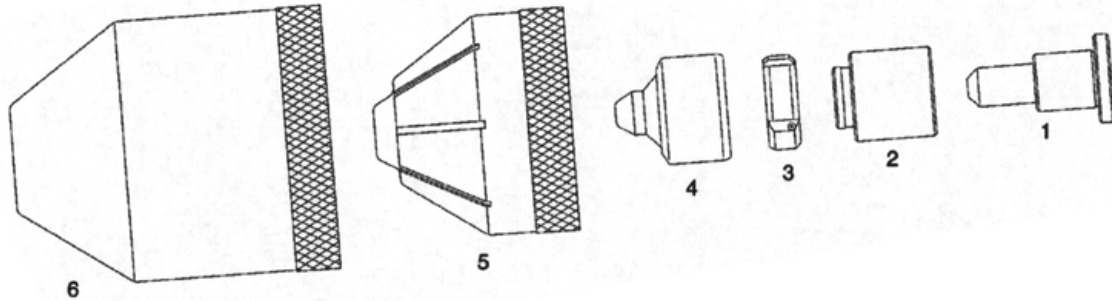


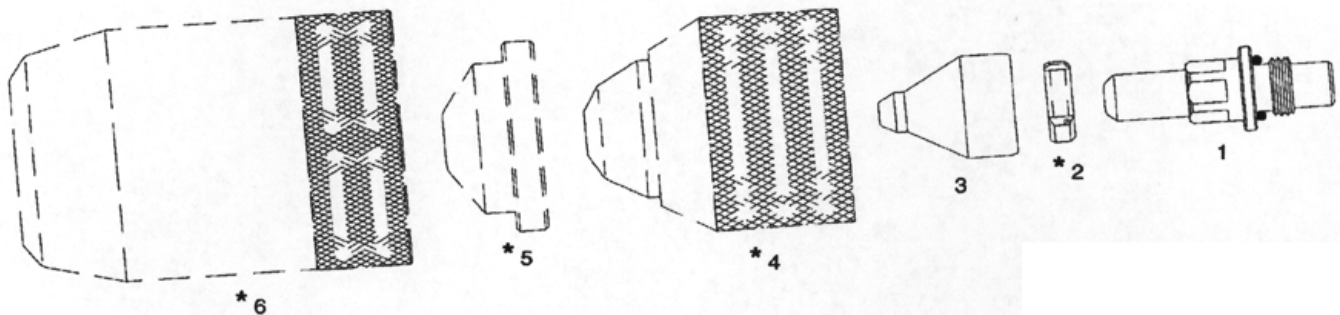
REPLACEMENT PARTS SUITABLE FOR:
KOMATSU®

G 940®



ITEM	CATALOG NUMBER	DESCRIPTION	STD. QTY
1	CS7848-60-5330	ELECTRODE-HF	10
2	CS7848-60-5350	INSULATING SLEEVE	5
3	CS7848-60-5360	SWIRL RING	5
4	CS7848-60-5150	TIP 0.4	10
	CS7848-60-5170	TIP 0.5	10
	CS7848-60-5130	TIP 0.6	10
	CS7848-60-5160	TIP 0.7	10
5	CS7848-60-5110	RETAINING CAP-TAPERED	1
6	CS7848-60-5310	END CAP	1

G 990®



*** UNDER CONSTRUCTION**

ITEM	CATALOG NUMBER	DESCRIPTION	STD. QTY
1	CS7848-65-5920	ELECTRODE-HF	10
2	CS7848-65-5360	SWIRL RING	5
3	CS7848-65-5160	TIP Ø0.8	10
	CS7848-65-5180	TIP Ø1.1	10
	CS969-95-40211	TIP Ø1.3	10
4	**7848-65-5520	CAP No 1	1
5	**7848-65-5530	SHIELD CAP	1
6	**7848-65-5580	CAP No 2	1